

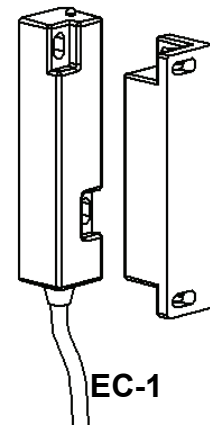
KEEP THIS GUIDE FOR FUTURE REFERENCE

This information is designed to help suitably qualified personnel install and operate Mechan products. Before using this product, read this guide thoroughly along with any relevant European and/or National standards e.g. Machinery Directive 89/392/EEC and its amendments, Provision and Use of Work Equipment Regulations.

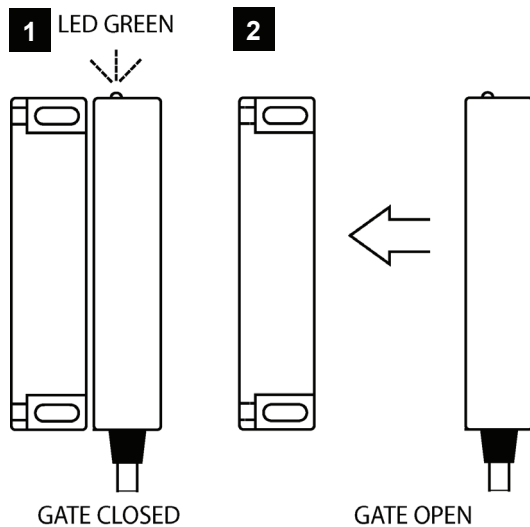
Further information can be obtained from
Mechan Controls

DESCRIPTION

The EC 1 is an electronic non-contact switch designed for monitoring door position with the EC Tech door monitoring alarm system.



OPERATION



With the switch is connected to the control unit and power applied:

1) POWER ON, GATE CLOSED

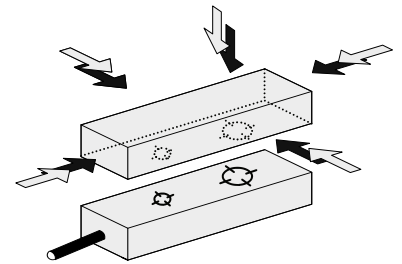
If the actuator is within the switching range, the switched output will be closed, and the LED will illuminate GREEN

2) POWER ON GATE OPEN

When the actuator is moved away from the switch (outside the operating range) the switched output will be off and the LED will not be illuminated.

MOUNTING

The EC 1 switches can approach each other from most angles. When the guard is closed the targets on the printed face of the switch and actuator must be aligned.



TECHNICAL SPECIFICATION

TYPE	EC 1
Power Supply	12vDC
Power Consumption	<50mA
Contacts Arrangements:	1 x Switched output
Max. Operating Distance	15mm
IP Rating	IP67
Operating Temperature	-10 to +55C
Mounting & Fixture	Target to Target
Connection	Pre-wired
Cable length	Max 100 metres
Construction	Blue ABS Resin Filled

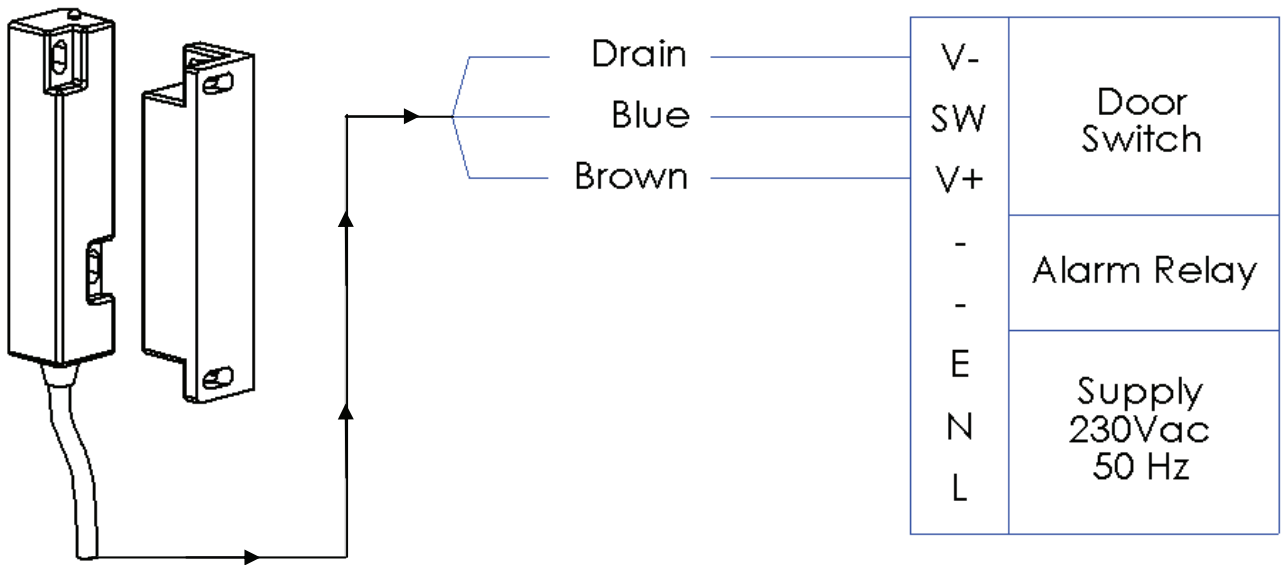
Approvals

CE	Complies with the relevant sections of the CE marking directive.
----	--

Declaration of Conformity

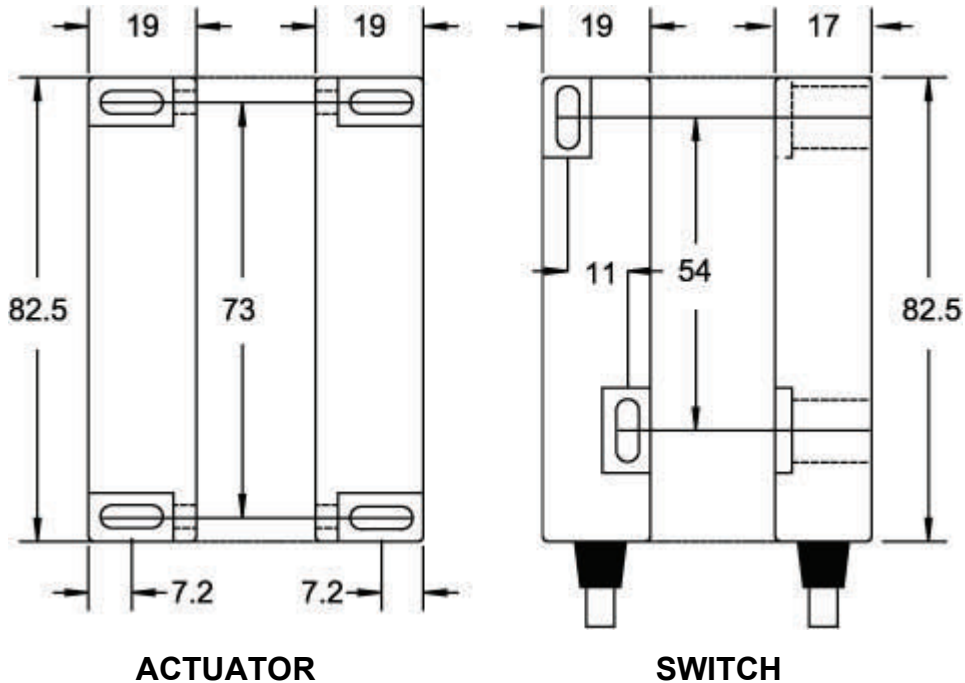
A Declaration of Conformity may be obtained from Mechan Controls PLC, Tel +44(0)1695 722264

CONNECTIONS



DIMENSIONS

Dimensions in MM



SPECIFICATION CHANGES

In the interest of product development, specifications are subject to change without notice.

It is the responsibility of the user to ensure compliance with any acts or by-laws that may be in force.

All information regarding Mechan Equipment is believed to be accurate at the time of printing. Responsibility cannot be accepted for errors or omissions.

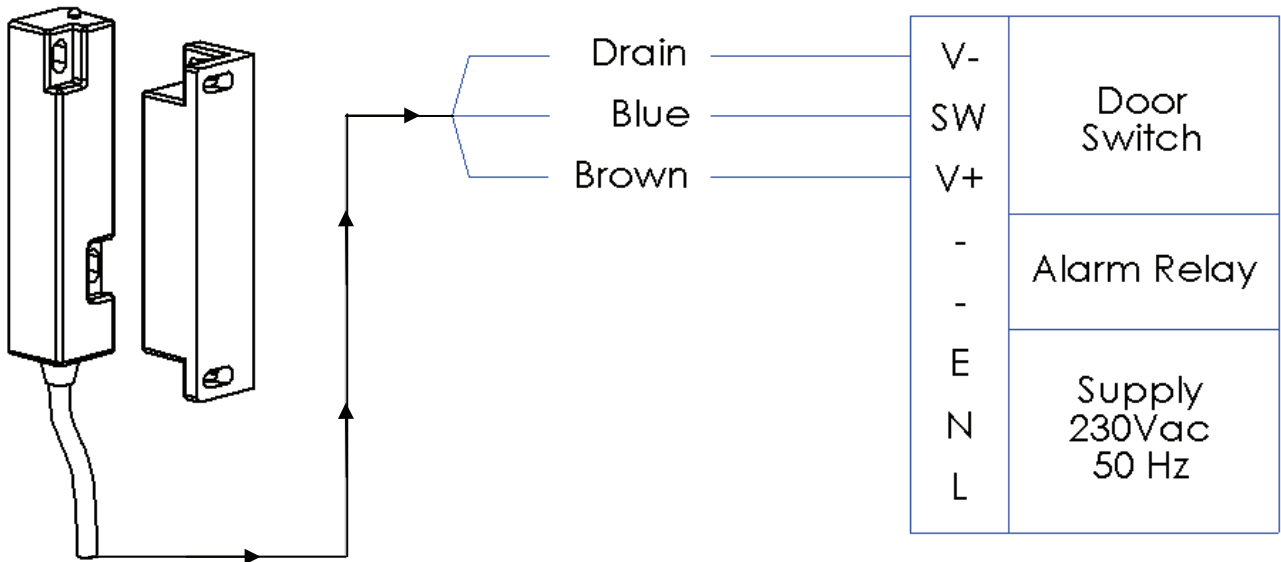
Document Number 355-421 v1
Copyright Mechan Controls PLC 2008

MECHAN CONTROLS PLC
14/16 Seddon Place
Stanley Industrial Estate
Skelmersdale
Lancashire WN8 8EB

UNITED KINGDOM
Tel: +44 (0)1695 722264
Fax: +44 (0)1695 729664

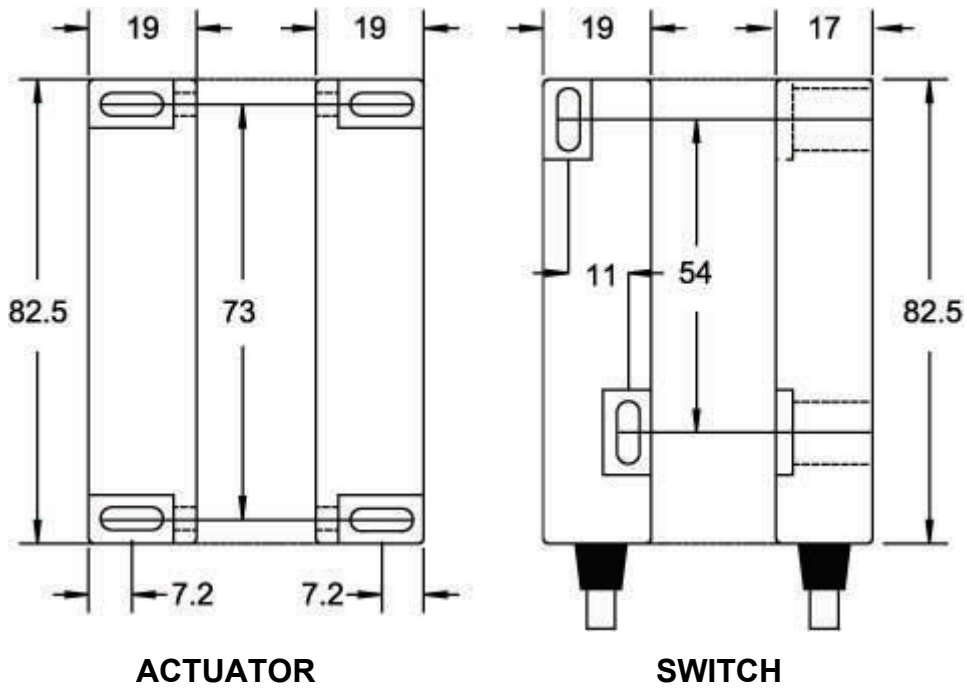
Email: sales@mechancontrols.co.uk
Web Site: www.mechancontrols.co.uk

CONNECTIONS



DIMENSIONS

Dimensions in MM



SPECIFICATION CHANGES

In the interest of product development, specifications are subject to change without notice.

It is the responsibility of the user to ensure compliance with any acts or by-laws that may be in force.

All information regarding Mechan Equipment is believed to be accurate at the time of printing. Responsibility cannot be accepted for errors or omissions.

Document Number 355-421 v1
Copyright Mechan Controls PLC 2008

MECHAN CONTROLS PLC
14/16 Seddon Place
Stanley Industrial Estate
Skelmersdale
Lancashire WN8 8EB

UNITED KINGDOM
Tel: +44 (0)1695 722264
Fax: +44 (0)1695 729664

Email: sales@mechancontrols.co.uk
Web Site: www.mechancontrols.co.uk

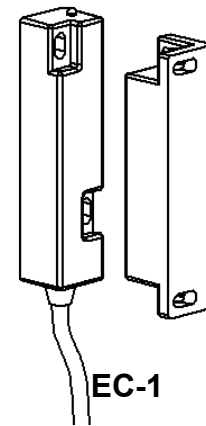
KEEP THIS GUIDE FOR FUTURE REFERENCE

This information is designed to help suitably qualified personnel install and operate Mechan products. Before using this product, read this guide thoroughly along with any relevant European and/or National standards e.g. Machinery Directive 89/392/EEC and its amendments, Provision and Use of Work Equipment Regulations.

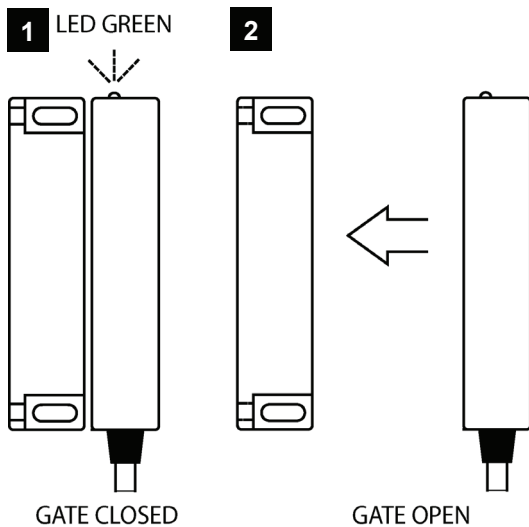
Further information can be obtained from
Mechan Controls

DESCRIPTION

The EC 1 is an electronic non-contact switch designed for monitoring door position with the EC Tech door monitoring alarm system.



OPERATION



With the switch is connected to the control unit and power applied:

1) POWER ON, GATE CLOSED

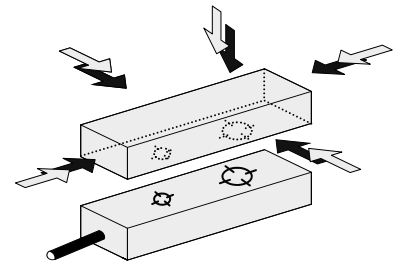
If the actuator is within the switching range, the switched output will be closed, and the LED will illuminate GREEN

2) POWER ON GATE OPEN

When the actuator is moved away from the switch (outside the operating range) the switched output will be open and the LED will not be illuminated.

MOUNTING

The EC 1 switches can approach each other from most angles. When the guard is closed the targets on the printed face of the switch and actuator must be aligned.



TECHNICAL SPECIFICATION

TYPE	EC 1
Power Supply	12vDC
Power Consumption	<50mA
Contacts Arrangements:	1 x Switched output
Max. Operating Distance	15mm
IP Rating	IP67
Operating Temperature	-10 to +55C
Mounting & Fixture	Target to Target
Connection	Pre-wired
Cable length	Max 100 metres
Construction	Blue ABS Resin Filled

Approvals

CE	Complies with the relevant sections of the CE marking directive.
----	--

Declaration of Conformity

A Declaration of Conformity may be obtained from Mechan Controls PLC, Tel +44(0)1695 722264